



MODELS

TD20

TD24

TD26

TD

**INTRODUCING
THE
INDUSTRIES
MOST
DURABLE
COMMERCIAL
SECTIONAL
STEEL DOORS**

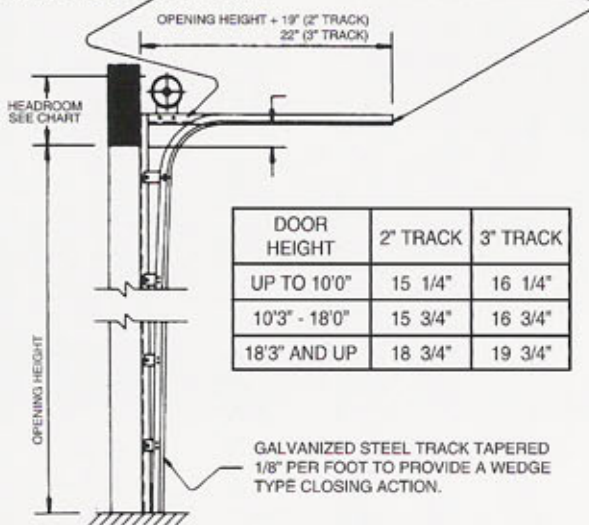


**PREMIUM
STEEL
DOORS**



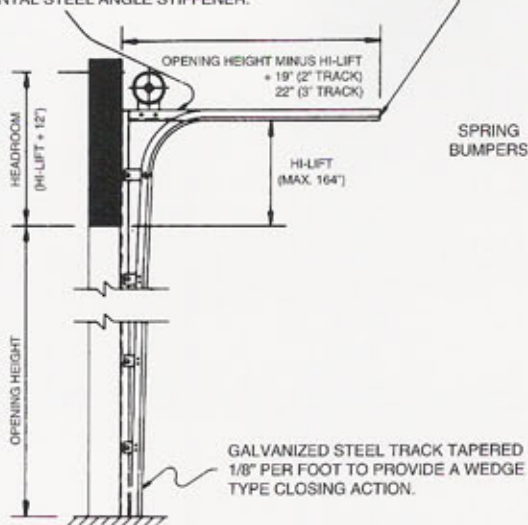
TYPICAL TRACK SELECTIONS

1 1/2" X 1 1/2" X 13 GAUGE GALVANIZED HORIZONTAL STEEL ANGLE STIFFENER. HORIZONTAL TRACK SUPPORT BY DOOR INSTALLER.

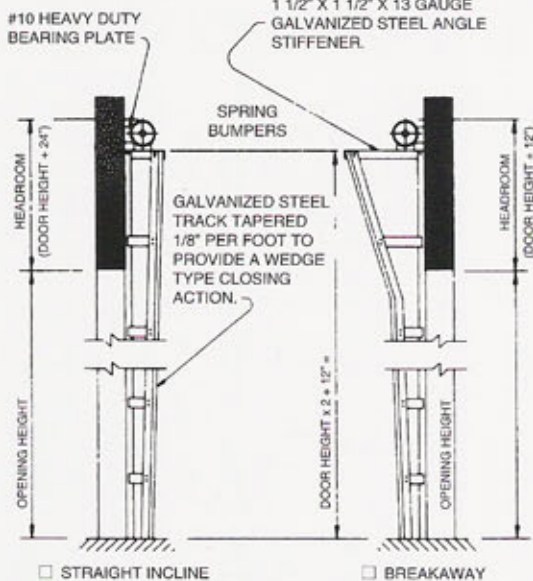


SL Standard Lift

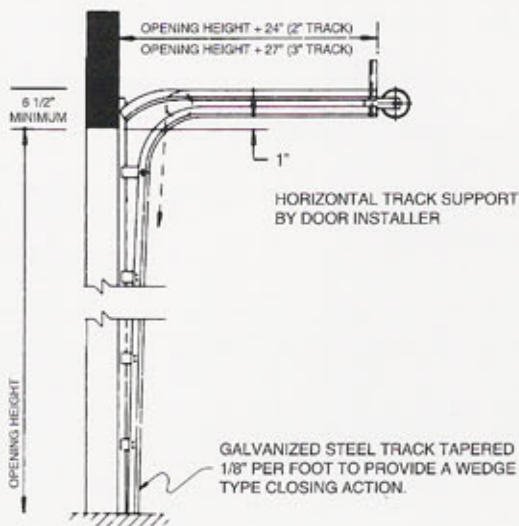
1 1/2" X 1 1/2" X 13 GAUGE GALVANIZED HORIZONTAL STEEL ANGLE STIFFENER. HORIZONTAL TRACK SUPPORT BY DOOR INSTALLER.



HL Hi Lift

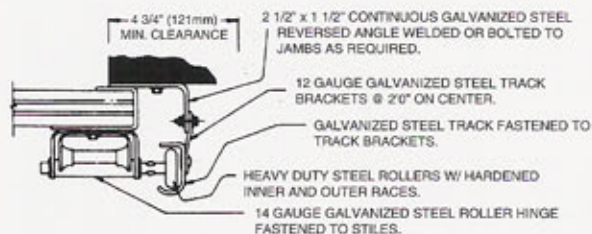


VL Vertical Lift



LHR Low Headroom

Typical Track Mounting

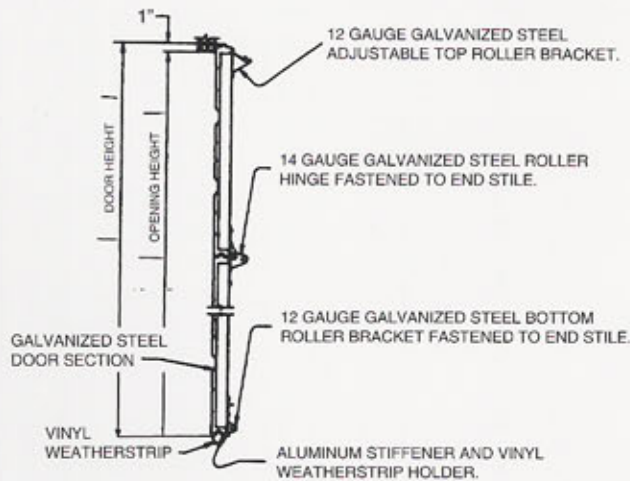


Reverse Angle to Steel, Wood, or C.M.U.

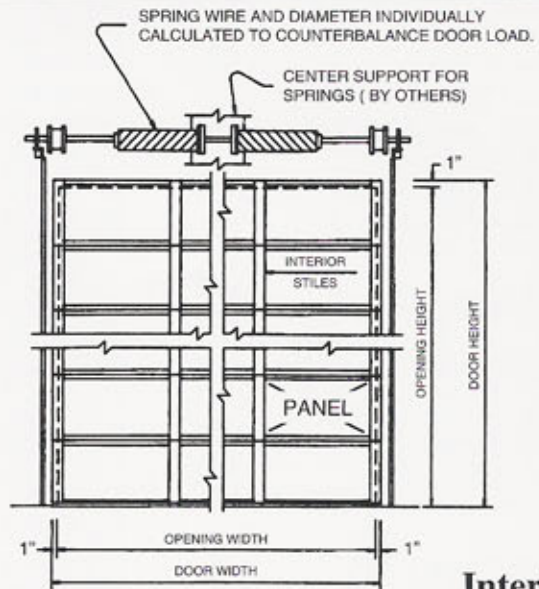
Schedule of Panels and Sections

DOOR WIDTH	PANELS ACROSS
thru 9'4"	2
9'5" - 13'5"	3
13'6" - 16'5"	4
16'6" - 19'4"	5
19'5" - 22'5"	6
22'6" - 26'1"	7

DOOR HEIGHT	SECTIONS HIGH
thru 8'0"	4
8'3" - 10'0"	5
10'3" - 12'0"	6
12'3" - 14'0"	7
14'3" - 16'0"	8
16'3" - 18'0"	9
18'3" - 20'0"	10

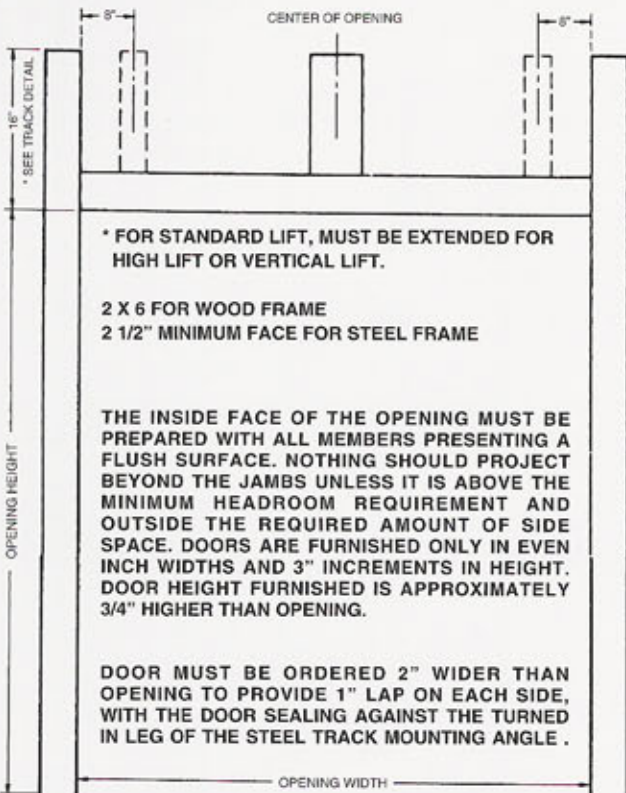


Side Elevation of Door

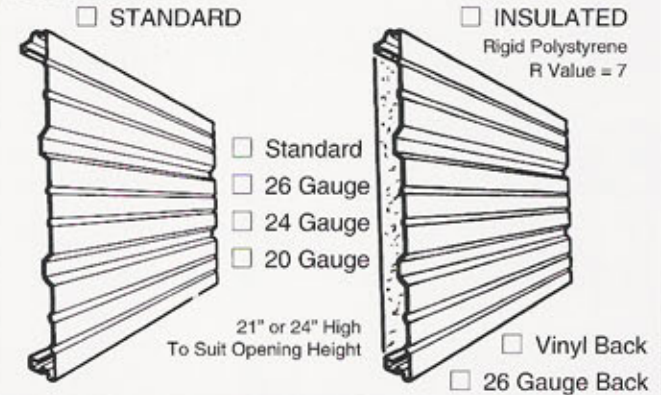


Interior Elevation

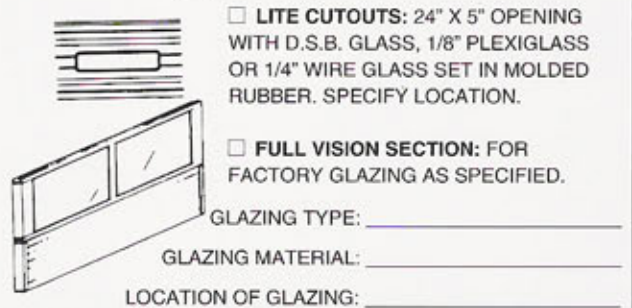
Opening Preparations (by Others)



Section Detail



Vision Lites (optional)



DOOR			OPENING *				TRACK		OPTIONS	
NO.	LOCATION	MODEL	QTY	WIDTH	HEIGHT	OPERATION	JAMB	SIZE	TYPE	SEE BACK PAGE

*DOOR SIZE TO BE 2" WIDER THAN OPENING TO PROVIDE 1" LAP ON EACH SIDE

JOB: _____ ARCHITECT: _____

CONTRACTOR: _____ DISTRIBUTOR: _____ DATE: _____

MODELS TD20•TD24•TD26

Model TD20 (20ga) for heavy-duty application; model TD24 (24ga) for standard applications and economy model TD26 for standard and light duty applications. TD high quality commercial doors are engineered for durability and smooth operation with steel face rivets and box shaped stiles to add extra rigidity.

SPECIFICATIONS

PART 1 GENERAL

- 1.1. **Description:** work to including furnishing installing all steel sectional doors as scheduled and detailed in the construction documents and as specified herein.
- 1.2. **Quality assurance:** The highest quality materials and workmanship to be used in the fabrication of these overhead doors to insure durability and smooth operation.
- 1.3. **Guarantee:** all doors shall be guaranteed against defective materials for a period of (1) one-year.

PART 2 PRODUCTS

- 2.1. **Acceptable Products:** TD Models TD20•TD24•TD26 as specified herein.
- 2.2. **Steel Door Sections:** roll formed steel sections to be 2" thick, G-60 hot dipped galvanized steel with six longitudinal ribs and 2 flat bottom V grooves. All stiles are to be heavy duty boxed shaped galvanized steel, face riveted to panels. Interlocking joints to be tongue and groove to provide a weather tight closure. Model TD20 to be 20 gauge, Model TD24 to be 24 gauge, Model TD26 to be 26 gauge. Optional insulated panel available, (See options "C" & "D"). Optional glazing available (see options "A" & "B").

- 2.3. **Weatherseal:** bottom section shall have "v" type vinyl astragal with aluminum retainer, optional weather strip available (see options, "W" & "X").
- 2.4. **Finish:** sections to be prime painted with baked on polyester finish coat available colors as listed below. Model TD20 - White, Model TD24 - White, Optional Brown, Silver and Sandstone, Model TD26 - White and Optional Brown
- 2.5. **Track:** G-60 galvanized steel track shall be standard 2" or heavy duty 3" as required to suit door size, (3" heavy duty track is optional where 2" track is standard). Continuous steel angle with 1" overlap shall be used for installing track to jamb. Vertical track shall incline through the use of adjustable brackets to provide a weather tight closure at jambs. Horizontal track to be reinforced with 13 gauge galvanized steel angle rivet to track.
- 2.6. **Hardware:** hinges and fixtures to be 14 gauge galvanized steel. Full floating (10) ball bearing rollers to be 2" or 3" to suit track size. Inside friction lock to be installed on end stile. Standard torsion spring system to be engineered for 10,000 cycles.
- 2.7. **Operation:** Standard push up operation to be provided with lift handles and pull down rope. Optional chain hoist or electric operator is available (see options).

PART 3 EXECUTION

- 3.1. Install door in accordance with TD installation instructions and standards. Installations by TD authorized representative.

AVAILABLE OPTIONS:

Vision lites:

- A 6"X24" rectangle 1/8" D.S.B. Glass
- B Aluminum full view W/ 1/8" D.S.B. Glass, 1/8", plexiglass, or 1/8" tempered glass

Insulation:

- C Polystyrene with Vinyl back R-value=7.35
- D Polystyrene with 26 Gauge steel back R=7.35

Hardware:

- E Heavy-duty 3" track
- F Exhaust port
- G 20,000 cycle springs
- H 50,000 cycle springs
- I 100,000 cycle springs
- J Safety cam bottom fixture
- K External cylinder lock

Operation:

- L Reduced drive chain Hoist 3:1 ratio
- M Standard duty Draw Bar operator
- N Heavy duty draw bar Operator
- O Standard duty Jack Shaft Operator
- P Heavy duty Jack Shaft Operator (Supplemental attachment is available for electric operator details and specifications)

Controls:

- Q Auxiliary chain hoist for electric operator
- R Reversing safety edge with coiling cord
- S Reversing safety edge with take up reel
- T Photo reversing Sensor
- U Radio receiver & single Button Transmitter
- V Time to close

Weatherstripping:

- W Vinyl top seal
- X Vinyl jamb seal
- Y Other _____
- Z Other _____